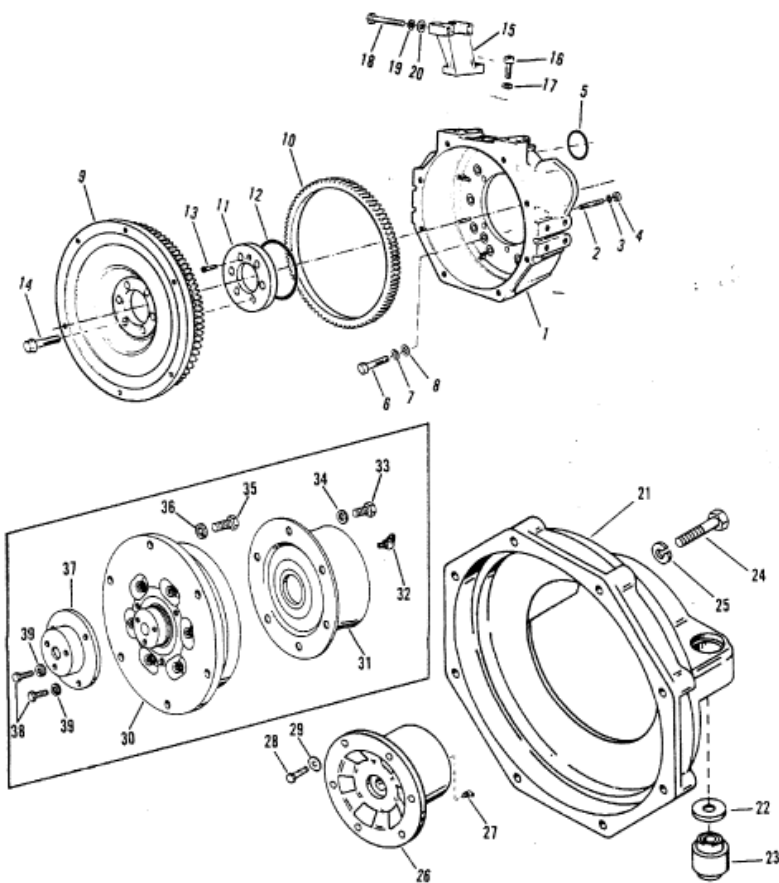


FLYWHEEL HOUSING



Parts List					
Ref	Class	Part	Description	Qty	Footnote
1		801331695	FLYWHEEL HOUSING	1	
2	16	809908402	STUD	2	
3	13	811408	LOCKWASHER	2	
4	11	811458	NUT	2	
5	25	801331619	O-RING	1	1
6	10	809913834	SCREW	9	
7	13	809932112	LOCKWASHER	9	
8	12	811459	WASHER	9	
9	265	811453	FLYWHEEL	1	
10	43	801331701	RING GEAR	1	
11		801331697	GUIDE RING	1	
12	25	811498	O-RING	1	1
13	10	801331698	SCREW	1	
14	10	811454	BOLT	6	
15		816830	BRACKET	1	
16	10	811457	SCREW	1	
17	13	809932110	LOCKWASHER	1	
18	10	811456	SCREW	2	
19	13	809932095	LOCKWASHER	2	
20	12	811455	WASHER	2	
21		18718A 7	FLYWHEEL HOUSING ASSEMBL`	1	
22	23	99322	SPACER	2	
23		88791	MOUNT	2	
24	10	40001206	SCREW	8	
25	13	809931076	LOCKWASHER	8	
26		19100A 3	COUPLING ASSEMBLY (SINGLE	1	
27	22	49099	GREASE FITTING (SINGLE ST/	2	
28	10	40001192	SCREW (SINGLE STAGE COUPL	6	
29	13	40024 8	LOCKWASHER (SINGLE STAGE	6	
30		18311A10	COUPLING ASSEMBLY (DUAL ST	1	
31		18311A13	COUPLING ASSEMBLY (DUAL E	1	
32	22	49099	GREASE FITTING (DUAL STA	2	
33	10	40001189	SCREW (DUAL STAGE COUPLI	6	
34	13	40024 8	LOCKWASHER (DUAL STAGE C	6	
35	10	40001134	SCREW (DUAL STAGE COUPLI	6	
36	13	40024 7	LOCKWASHER (DUAL STAGE C	6	
37		805731	COUPLER (DUAL STAGE COUPL	1	
38	10	40001 75	SCREW (DUAL STAGE COUPLI	6	
39	13	26992	LOCKWASHER (DUAL STAGE C	6	
40	27	811490	GASKET SET		